

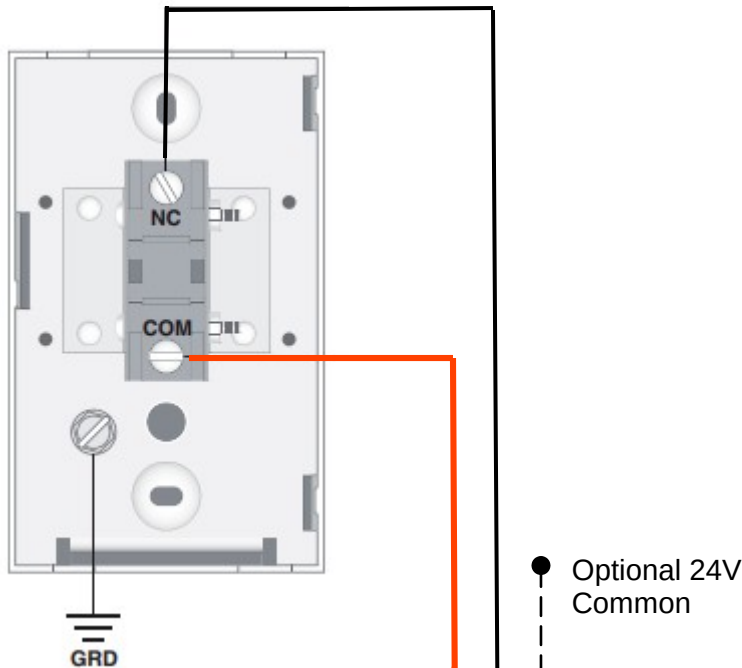
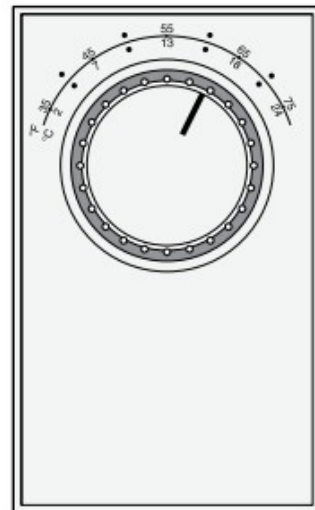
# TH-ET5 Single Stage Thermostat

## DX3L wiring instructions

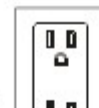
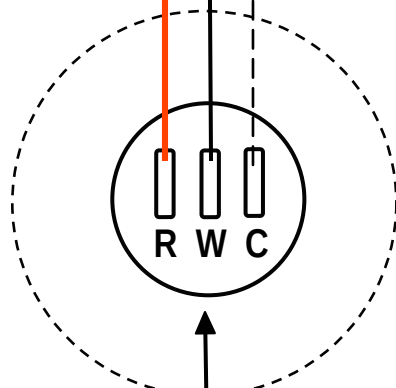
24 VAC is supplied from an internal 40 VA transformer. **DO NOT** supply 24 V to the terminal strip.

### TH-ET5

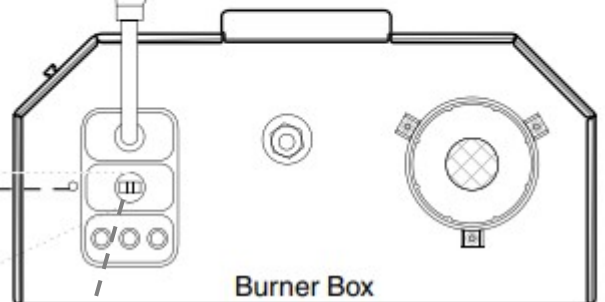
24/125 VAC



● Optional 24V  
Common



To 120VAC  
grounded outlet.



Burner Box

**DX3L** Single Stage Heater

**R:** 24 VAC Power out  
**W:** Call for Heat  
**C:** Common for 24 VAC Power  
(if required for thermostat power)

1/4" terminals



**Note:** If optional yellow control cord "OD Kit" is installed then the following wire colors apply:

**R** (24VAC out) = Black  
**W** (Call for Heat) = White  
**C** (Common) = Green

