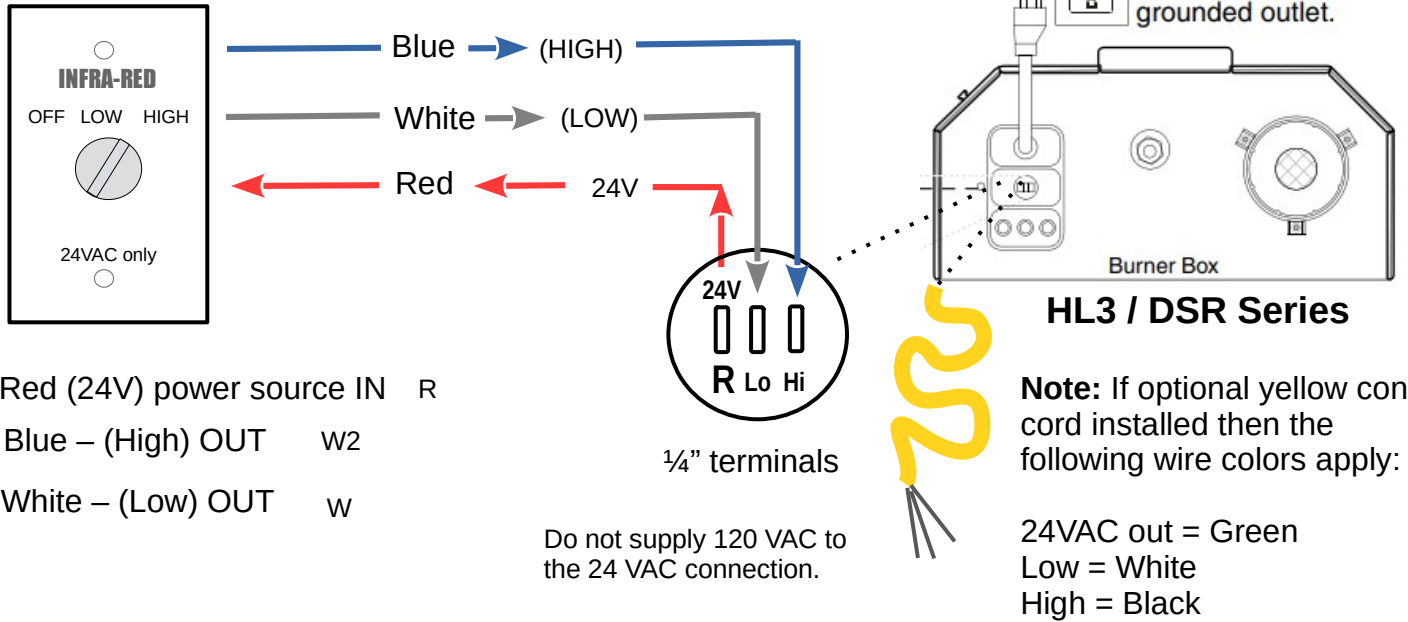


Wiring Diagram - Two Stage Control (IR-TSC)

Control switch powered by the 24V out (wire or terminal) of the heater burner box.

IR-TSC For Two Stage Heater



Two Stage Wiring for Multiple patio heaters

Control switch powered by external 24V transformer

DSCD Series

IR-TSC Specifications

Electrical Rating: 24V switching 10 amp
 Contact Action: Close on manual activation
 Dimensions: 3.0" W x 4.75" H x 3.5" D

