

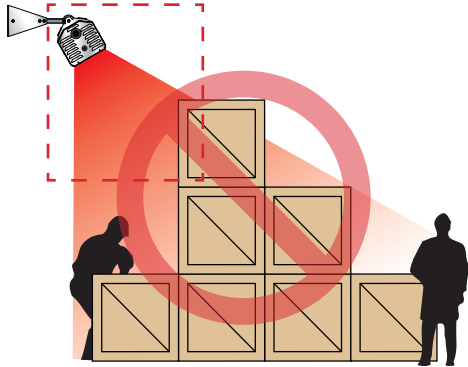
# INFRARED PATIO HEATER INSTALLATION PRE-CHECKS

-  **Avoid Equipment Failure.**
-  **Avoid property damage, injury or death.**

Observe these basic guidelines when installing your heater.  
**Consult Manual** for full installation instructions.

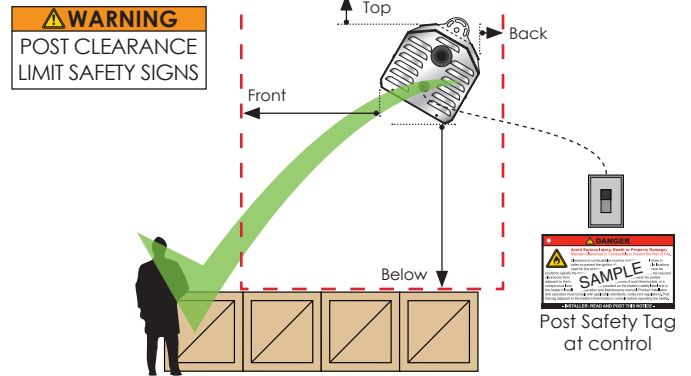
## OBSERVE CLEARANCES TO COMBUSTIBLES

### Do Not Violate Clearances to Combustibles!



Failure to observe stated clearances to combustibles will result in a fire hazard. Failure to properly denote hazard may also result in a future hazard.

### Observe Published Clearance to Combustibles



Always observe the stated clearances to combustibles. Post signs as required by ANSI or NFPA. Consult manual.

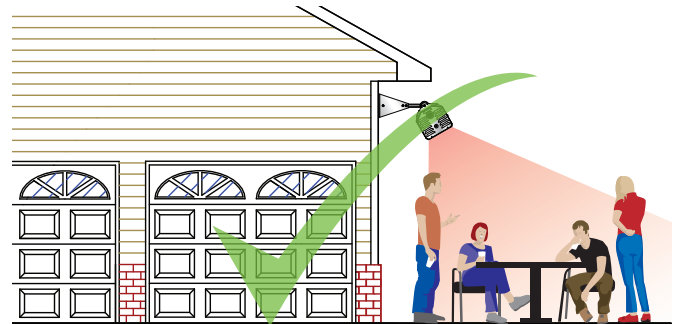
## OBSERVE MINIMUM VENTILATION RATES

### Do Not Install in INDOOR Residential Applications!



Failure to observe this warning may result in injury or death.

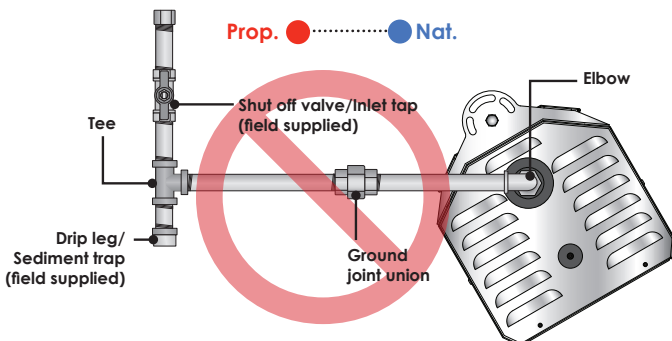
### Install in Approved Applications Only!



High intensity patio heaters are certified for outdoor residential and commercial or industrial applications with adequate ventilation only.

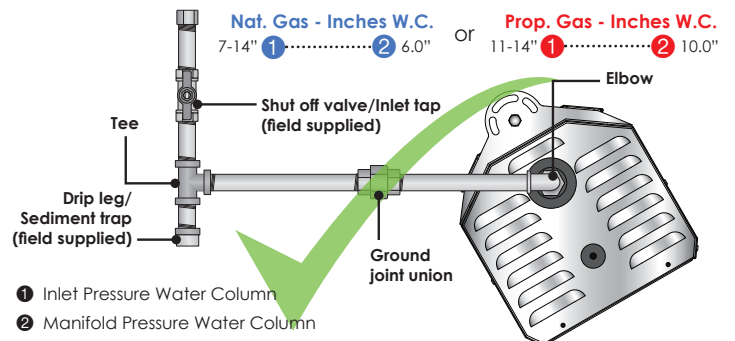
## OBSERVE PROPER GAS TYPES AND PRESSURES

### Do Not Apply Improper Gas Types or Pressures!



The use of improper gas or improper pressure will result in a fire hazard or improper operation.

### Apply Required Gas Type and Pressures!



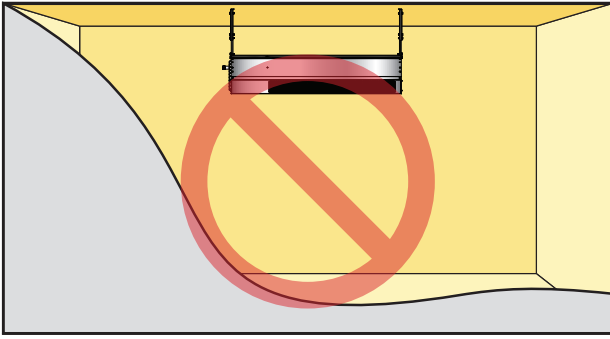
- ① Inlet Pressure Water Column
- ② Manifold Pressure Water Column

Provide proper gas type (as denoted on rating label) and observe minimum and maximum pressures.

**NOTICE:** Do not attempt to convert heater by altering the gas orifice(s). Proper conversions require valve, orifice and proper labeling. Contact factory for conversion assistance.

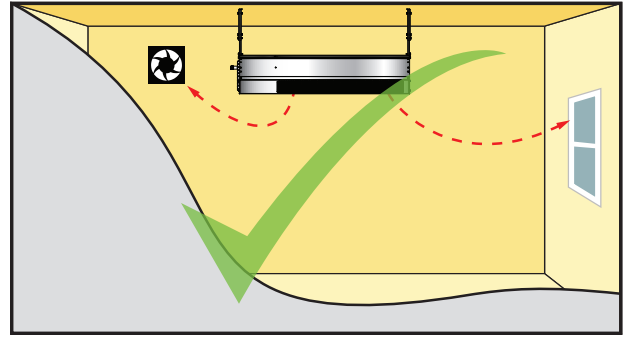
## OBSERVE PROPER APPLICATION GUIDELINES

### Do Not Install Without Adequate Ventilation!



Failure to observe minimum ventilation rates will result in condensation and increased carbon monoxide rates.

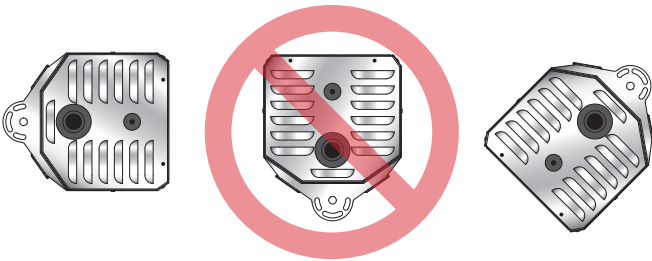
### Provide Sufficient Ventilation!



Provide natural or mechanical means to supply and exhaust 4.0 CFM per 1000 BTU/h of gas input.

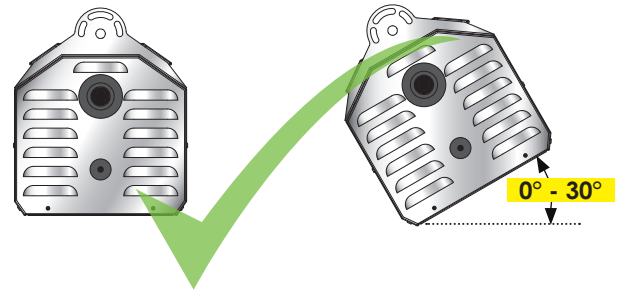
## OBSERVE PROPER MOUNTING ANGLES

### Do Not Mount on Angles Exceeding 30° from Horizontal!



Failure to properly mount heater will result in damaged controls.

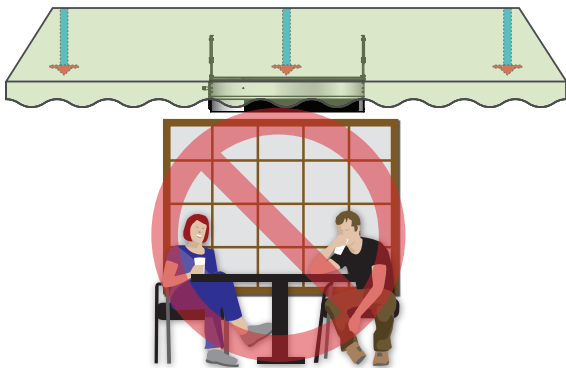
### Observe Proper Mounting Angles!



Heater **must be** mounted level end to end and at a **0-30°** angle from horizontal.

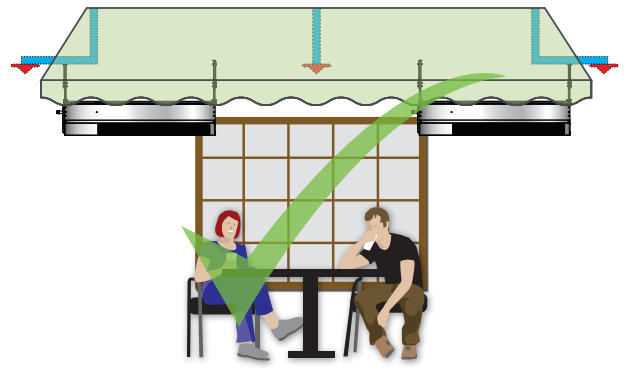
## OBSERVE TEMPERATURE SENSITIVE ITEMS & COMFORT CONDITIONS

### Do Not Place Heater(s) too Close to Temperature Sensitive Items



Certain items such as awnings, fabrics, sprinkler heads, insulation or table tops may require the heater to be mounted at a distance in excess of the published clearances to combustibles.

### Carefully Consider All Design Factors



Strategically place heater(s) in optimal position to avoid potential hazards and to maximize comfort conditions.



This precheck sheet is not designed to act as a replacement to the installation manual.



Read and understand the DSC Series Installation, Operation, Maintenance & Parts Manual thoroughly before installing or servicing this equipment.