

DX2-SS SERIES TUBE HEATERS

SUBMITTAL DATA – SINGLE-STAGE LOW INTENSITY GAS-FIRED INFRARED TUBE HEATERS & ACCESSORIES

SUBMITTED BY: _____

DATE: _____

JOB TITLE: _____

CONTRACTOR: _____

ADDRESS: _____

ADDRESS: _____

CITY: _____

CITY: _____

STATE: _____ ZIP: _____

STATE: _____ ZIP: _____ PH: _____

ENGINEER: _____

LOCAL REPRESENTATIVE: _____

NOTES: _____

| QTY. | MODEL # | TAG | INDICATE GAS TYPE | BTU/h INPUT | STRAIGHT LENGTH | U-TUBE LENGTH | STAINLESS STEEL WEIGHT | TYP. OR RCMD. MOUNTING HEIGHTS ¹ |
|------|---------------|-----|-------------------|-------------|-----------------|----------------------|------------------------|---------------------------------------------|
| | DX2-SS-20-75 | | N or P | 75,000 | 21'- 8" | 13'- 0" | 145 lbs. | 11' to 18' |
| | DX2-SS-20-80 | | N or P | 80,000 | 21'- 8" | 13'- 0" | 145 lbs. | 11' to 18' |
| | DX2-SS-30-75 | | N or P | 75,000 | 31'- 4" | 17'- 8" ² | 195 lbs. | 12' to 20' |
| | DX2-SS-30-80 | | N or P | 80,000 | 31'- 4" | 17'- 8" ² | 195 lbs. | 12' to 20' |
| | DX2-SS-30-100 | | N or P | 100,000 | 31'- 4" | 17'- 8" ² | 195 lbs. | 13' to 23' |
| | DX2-SS-40-75 | | N or P | 75,000 | 41'- 0" | 22'- 8" | 235 lbs. | 12' to 20' |
| | DX2-SS-40-80 | | N or P | 80,000 | 41'- 0" | 22'- 8" | 235 lbs. | 12' to 20' |
| | DX2-SS-40-100 | | N or P | 100,000 | 41'- 0" | 22'- 8" | 235 lbs. | 13' to 23' |
| | DX2-SS-40-125 | | N or P | 125,000 | 41'- 0" | 22'- 8" | 235 lbs. | 14' to 25' |
| | DX2-SS-40-150 | | N or P | 150,000 | 41'- 0" | 22'- 8" | 235 lbs. | 15' to 27' |
| | DX2-SS-50-100 | | N or P | 100,000 | 50'- 8" | 27'- 4" ² | 290 lbs. | 15' to 27' |
| | DX2-SS-50-125 | | N or P | 125,000 | 50'- 8" | 27'- 4" ² | 290 lbs. | 15' to 27' |
| | DX2-SS-50-150 | | N or P | 150,000 | 50'- 8" | 27'- 4" ² | 290 lbs. | 16' to 30' |
| | DX2-SS-50-175 | | N or P | 175,000 | 50'- 8" | 27'- 4" ² | 290 lbs. | 17' to 35' |
| | DX2-SS-60-125 | | N or P | 125,000 | 60'- 4" | 32'- 4" | 330 lbs. | 16' to 30' |
| | DX2-SS-60-150 | | N or P | 150,000 | 60'- 4" | 32'- 4" | 330 lbs. | 17' to 35' |
| | DX2-SS-60-175 | | N or P | 175,000 | 60'- 4" | 32'- 4" | 330 lbs. | 17' to 35' |
| | DX2-SS-60-200 | | N or P | 200,000 | 60'- 4" | 32'- 4" | 330 lbs. | 18' to 40' |

¹ Typical or recommended mounting heights are provided as a guideline. Actual conditions may dictate variations from this data.

² Model requires 5EA-SUB accessory package when installing heater in a U-shaped configuration.

DETROIT RADIANT PRODUCTS CO.

VISIT OUR WEBSITE FOR:

RE-VERBER-RAY
by Detroit Radiant Products Company

21400 Hoover Rd.
Warren, MI 48089-3162

Phone: (586) 756-0950
Toll Free: 1-800-222-1100
Fax: (586) 756-2626
Email: sales@drp-co.com
Website: www.reverberray.com

- Product Specs
- Parts Support
- Dealer Locator
- Applications
- CAD/Revit Library
- Design Guidelines
- Theory of Infrared
- and More!



DX2-SS SPECIFICATIONS

APPROVALS

- IAS, CGA, CSA (CE-EDX Series)
- Indoor/Outdoor Approval (with OD-Kit)
- Commercial/Industrial Approval

BURNER CONTROL BOX

- Sight glass for burner inspection
- Totally enclosed components
- 304 series stainless steel construction
- Operational indicator lights
- Silicone sealed

GAS CONNECTION

- 7/8" flare-M FPT Connection to 1/2" x 24" (304) PVC coated SS flex connector provided
- 1/2" NPT ball valve & inlet tap included

GAS SUPPLY (Inches W.C.)

- Manifold pressure: Nat 3.5; Prop 10.0
- Min. Inlet pressure: Nat 5.0; Prop 11.0
- Max. Inlet pressure: Nat 14.0; Prop 14.0

POWER SUPPLY

- 120 V.A.C., 60 Hz GRD, 1 Ph., 3-wire
- 60 in. grounded power cord
- Ignition current - 4.8 amps
- Running current - 1.1 amps

CONTROLS

- 100% safety shut-off.
- Moisture resistant control module.
- Air proving safety switch.
- Silicon carbide hot surface igniter.
- Pre-purge controls.
- Flame rod sensing.
- 120V thermostatic control (standard).

REFLECTOR

- Highly polished 304 stainless steel
- Two end caps included
- Reflector tension springs
- Continuous overlap design
- One reflector center support per reflector

COMBUSTION & RADIANT TUBES

- 16ga. 4" O.D. 304 series stainless steel radiant emitter tubes
- 409 series combustion chamber
- All tubes coated with high temperature, corrosion resistant black coating, .95 emissivity
- Slip-fit swaged connection
- Turbulator baffle

COMBUSTION AIR INLET & VENTING

- Preset 4" combustion air inlet collar
- Sidewall or roof venting

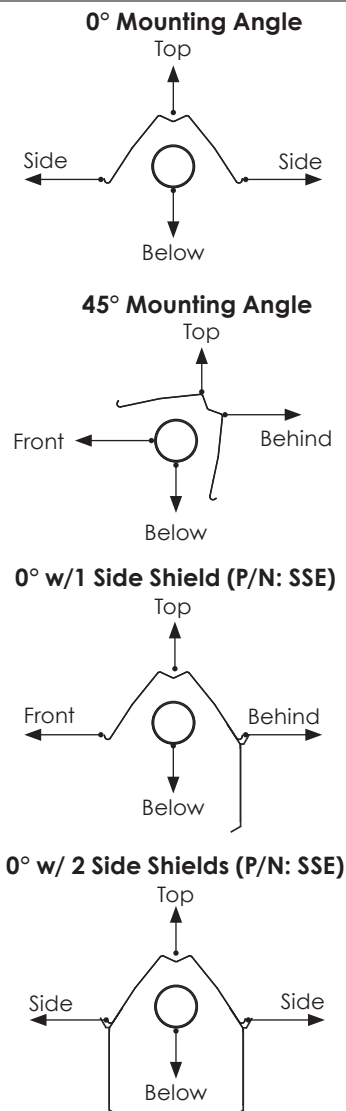
LIMITED WARRANTY

- 3 year - Burner box components
- 5 years - Combustion and radiant tubes
- 10 years - Burner

DX2-SS CLEARANCES TO COMBUSTIBLES (IN INCHES)

| MODEL NO. | MOUNTING ANGLE ³ | SIDE | | | |
|-------------------------------------|-----------------------------|-------|--------|-----|-------|
| | | FRONT | BEHIND | TOP | BELOW |
| DX2-SS (20, 30, 40) - 75 [N,P] | 0° | 9 | 9 | 6 | 60 |
| | 45° | 39 | 8 | 10 | 60 |
| W/1 side shield | 0° | 29 | 8 | 6 | 60 |
| W/2 side shields | 0° | 9 | 9 | 6 | 60 |
| 20 ft. from burner | 0° | 7 | 7 | 6 | 30 |
| DX2-SS (20, 30, 40) - 80, 100 [N,P] | 0° | 14 | 14 | 6 | 66 |
| | 45° | 39 | 8 | 10 | 66 |
| W/1 side shield | 0° | 29 | 8 | 6 | 66 |
| W/2 side shields | 0° | 16 | 16 | 6 | 66 |
| 20 ft. from burner | 0° | 7 | 7 | 6 | 30 |
| DX2-SS (40, 50) - 125 [N,P] | 0° | 20 | 20 | 6 | 76 |
| | 45° | 58 | 8 | 10 | 76 |
| W/1 side shield | 0° | 42 | 8 | 6 | 76 |
| W/2 side shields | 0° | 20 | 20 | 6 | 76 |
| 20 ft. from burner | 0° | 7 | 7 | 6 | 30 |
| DX2-SS (40, 50, 60) - 150 [N,P] | 0° | 24 | 24 | 6 | 81 |
| | 45° | 58 | 8 | 10 | 81 |
| W/1 side shield | 0° | 42 | 8 | 6 | 81 |
| W/2 side shields | 0° | 23 | 23 | 6 | 81 |
| 20 ft. from burner | 0° | 11 | 11 | 6 | 44 |
| DX2-SS (50, 60) - 175 [N,P] | 0° | 34 | 34 | 6 | 92 |
| | 45° | 63 | 8 | 10 | 92 |
| W/1 side shield | 0° | 50 | 8 | 6 | 92 |
| W/2 side shields | 0° | 30 | 30 | 6 | 92 |
| 20 ft. from burner | 0° | 11 | 11 | 6 | 44 |
| DX2-SS (60) - 200 [N,P] | 0° | 41 | 41 | 6 | 94 |
| | 45° | 63 | 8 | 10 | 94 |
| W/1 side shield | 0° | 54 | 8 | 6 | 94 |
| W/2 side shields | 0° | 30 | 30 | 6 | 94 |
| 20 ft. from burner | 0° | 11 | 11 | 6 | 44 |

³ Heaters mounted on an angle between 0° and 45° must maintain clearances posted for 0° or 45°; whichever is greater.

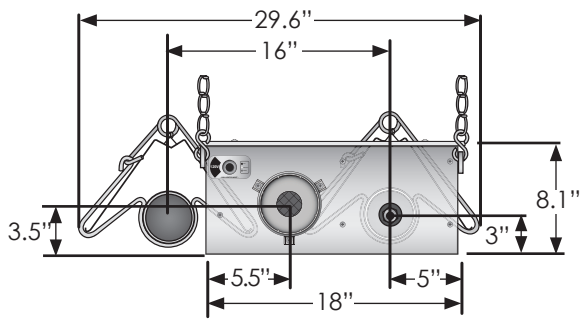


Read and understand the installation, operation and maintenance manual prior to installing or servicing this unit.

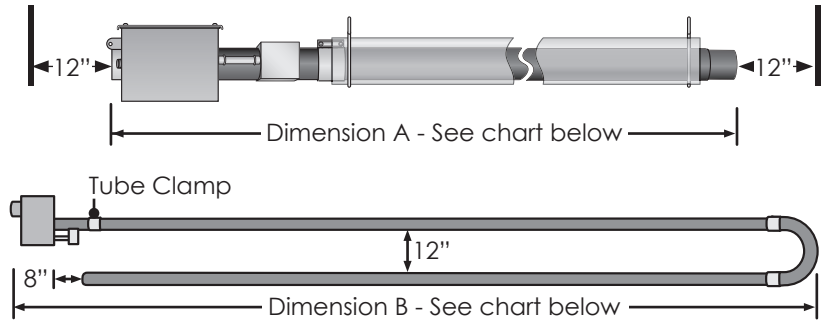
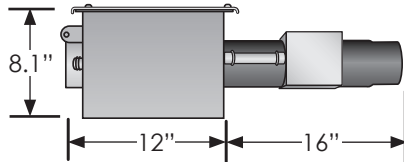
In locations used for the storage of combustible materials, signs must be posted adjacent to the heater's thermostat specifying stacking heights.

DX2-SS FIELD DATA

Burner Control Box with U-Bend - End View



Side View



| MODEL NUMBER | DIMENSION A STRAIGHT | DIMENSION B U-TUBE |
|--------------|----------------------|-----------------------|
| DX2-SS-20 | 21' - 8" | 13' - 0" |
| DX2-SS-30 | 31' - 4" | 17' - 8" ⁴ |
| DX2-SS-40 | 41' - 0" | 22' - 8" |
| DX2-SS-50 | 50' - 8" | 27' - 4" ⁴ |
| DX2-SS-60 | 60' - 4" | 32' - 4" |

⁴with 5EA-SUB

OPTIONAL ACCESSORIES

| QTY. | PART # | DESCRIPTION | NOTES |
|------|-----------|-----------------------------------------|---------------------------------------------------------------------------|
| | 10EA-SS | S.S. 10"X4" Tube & Reflector Extension | Optional S.S. 10 ft. extension package. Maximum of one per unit. |
| | 4-DSK | 4" Sidewall Vent Kit | Required for all single sidewall vents (N/A for 200 MBH models). |
| | 6-DSK | 6" Sidewall Vent Kit | Required for all common sidewall vents. No roof venting. |
| | BK-SS | S.S. Angle Mounting Bracket 15°-30°-45° | Rotates reflector to preset mounting angles. |
| | E6-SS | S.S. 90 Degree, 4" Radiant Elbow | Used for making a L-shaped heater. Maximum of two per unit. |
| | PLQ | Warning Plaque | Hung below heater, restates the clearance to combustible warning. |
| | RE-SS | S.S. Reflector & Elbow Package | Reflector and accessories used to configure heater in a 'L' shape. |
| | RTVP-4 | 4" Rooftop Vent Package | Used to single vent vertically through the roof. |
| | RTVP-6 | 6" Rooftop Vent Package | Used to common vent vertically through the roof. |
| | RU-SS | S.S. Reflector & 'U' Bend Package | Reflector and accessories used to configure heater in a 'U' shape. |
| | SSE-SS | S.S. Side Shield Extension | Reflector side guard used to lower side clearances. Each 5 ft. in length. |
| | SK-4 | 4" Sidewall vent cap (200 MBH units) | Required for sidewall venting on 200 MBH models only. |
| | TF1B-SS | S.S. 180 Degree, 4" Radiant 'U' Bend | Used for making a U-shaped heater. Maximum of one per unit. |
| | THCS-SS | S.S. Tube Heater Chain Set | 30" chain set with two S-hooks used for hanging heater. |
| | THGH15-SS | S.S. Gripple Tube Heater Hanging Cables | 15 ft. length of looped cable with a locking fastener per assembly. |
| | TR60-SS | S.S. 5"x4" Tube & Reflector Extension | Optional 5 ft. extension package. Maximum of two per unit. |
| | WIV-4 | 4" Combustion Air Intake - Sidewall Cap | Used to duct fresh (cold) air 0-30 ft. to a heater. Sidewall only. |
| | WVE-GALV | 4" Unvented Exhaust Termination Cap | Required on all units when operating unvented. |
| | Y | 4"x6"x4" Aluminized Common Vent Fitting | Used for joining two heaters on one vent. Same thermostat required. |
| | YSM | 4"x6"x4" Galvanized Common Vent Fitting | Used for joining two heaters on one vent. Same thermostat required. |

OPTIONAL UPGRADES

- OD-KIT** For use when applying heaters outdoors.
- 24VAO** Internally mounted 24V controlled relay with power cord and terminal plug. Allows for circuit operation.
- 5EA-SUB** Substitutes one 10 ft. radiant tube and reflector for two 5 ft. sections. This is ideal for making U-shaped heater configurations from 30 ft., 50 ft. and 70 ft. models. One per heater.

NOTE: Refer to the Tube Heater Accessory List (LPKTH) for detailed specifications and limitations on any of the above options.

DX2-SS WRITTEN SPECIFICATIONS

PRODUCTS

1. TUBULAR INFRARED HEATERS

- A. Basis-of-design product: Subject to compliance with requirements, provide Detroit Radiant Products Company; **Re-Verber-Ray DX2-SS Series**.
- B. Fuel type: Burner shall be designed for [natural] [propane] gas having characteristics same as those of gas available at project site.
- C. Combustion chamber: Shall be 4" O.D. 16ga. 409 series stainless steel, finished with a high emissivity rated, corrosion resistant, black coating.
- D. Emitter tube: Shall be 4" O.D. 16ga. 304 series stainless steel finished with a high emissivity rated, corrosion resistant, black coating.
- E. Burner type: Unit shall be a positive pressure power burner with a combustion fan upstream of the burner and exhaust gases for component longevity, maximum combustion efficiency, and energy transfer. Negative pressure (pull through) type appliances will not be allowed.
- F. Fan enclosure: Combustion fan shall be totally housed inside burner control box and not exposed. Appliances with exposed combustion/exhauster fans shall not be permitted.
- G. Burner: Stainless-steel venturi burner. The flame anchoring screen shall have a minimum temperature rating equivalent to 430 grade stainless steel. Non stainless steel burners shall not be permitted.
- H. Tube connections: The heater's combustion chamber and radiant emitter tube shall incorporate a 4 inch slip-fit, interlocking connection in which the upstream tube slides into the next tube and is held by a bolted clamp. A butted tube connection system shall not be permitted.
- I. Ignition system : Hot surface silicon carbide capable of temperatures achieving 2400°F. Igniter shall be readily accessible and serviceable without the use of tools. Spark ignition systems shall not be permitted.
- J. Reflectors: Shall be 304 series stainless steel with a multi-faceted design which includes reflector end caps. Reflector shall have a polished bright finish with clear visual reflection ability. (A sample will be required at time of submittal). Reflector shall have a minimum of 7 sheet metal bends in its fabrication to optimize downward radiation. Reflectors shall be rotatable from 0 to 45 degrees when required. The heater's reflector hanging system shall be designed to permit expansion while minimizing noise and/or rattles.
- K. Control box: Heater's control housing shall be totally enclosed with a corrosion resistant 304 series stainless steel exterior with silicone sealant.
 1. Air intake: An air intake collar shall be supplied as part of the burner control assembly to accept a 4 inch O.D. supply duct.
 2. The controls shall be easily serviceable by removing one (1) panel. The silicon carbide igniter shall be readily accessible and serviceable without the use of tools.
 3. Outdoor modifications are required for any application that will be placed in a space defined as outdoors. The rating label shall bear the outdoor certification approval.
- L. Heaters shall be equipped with a sight glass allowing a visual inspection of igniter and burner operation from the floor. Sight glass visible only at appliance level shall not be permitted.
- M. The heaters shall utilize a downstream turbulator baffle for maximum heat transfer.
- N. Heater shall be supplied with a PVC coated stainless steel flexible gas connector.
- O. Burner Safety Controls:
 1. Heater controls shall include a safety differential pressure switch to monitor combustion air flow, as to provide complete burner shutdown due to insufficient combustion air or flue blockage.
 2. The heater's control system shall be designed to shut off the gas flow to the main burner in the event either a gas supply or power supply interruption occurs.
 3. The heater's blower motor shall be thermally protected and the motor's impeller shall be balanced.
 4. Heater control assembly shall include two indicator lights. One indicator shall validate air flow. One indicator light shall indicate valve operation.
 5. The heater's air flow control system shall provide a 45 second pre-purge prior to initiating burner operation.
 6. No condensation shall form as a result of combustion in the combustion chamber or radiant tubes while at operating temperatures.
 7. Thermostat control shall be single-stage operating on 120 volts.
- P. Venting: Shall be per manufacturer approval and specifications.
- Q. Thermostat: Devices and wiring are specified in Division 23 Section "Instrumentation and Control for HVAC."
 1. Thermostat: Single-stage, digital programmable wall-mounting type with 50 to 90 deg F (10 to 32 deg C) operating range.
 2. Control Transformer: Integrally mounted.